



IMPORTANT SAFETY INSTRUCTIONS
READ CAREFULLY

1. Check for structural integrity and proper connecting hardware before every use. Replace damaged or missing parts or fasteners immediately.
2. Safety/Warning labels must be clearly visible.
3. Securely anchor moveable soccer goals at ALL times.
4. Always instruct players, managers, coaches, trainers, teachers, maintenance workers and all other personnel who might come in contact with the goal, on the safe handling of and potential dangers associated with moveable soccer goals.
5. Always exercise extreme caution when moving goals and provide adequate manpower to move goals of varied sizes and weights. Moveable soccer goals should only be moved by authorized personnel.
6. NEVER allow anyone to climb on the net or goal framework.
7. Moveable soccer goals should only be used on LEVEL fields, NEVER on a slope or hill area.
8. Remove nets when goals are not in use.
9. Most of the tip-over injuries occurred when goals were unattended. Anchor or chain one goal to another or to nearby fence posts, dugouts, or any other similar sturdy fixture when not in use. If this is not practical, store moveable soccer goals in a place where children cannot have access to them.
10. Fully disassemble goals for seasonal storage.



All Kwik Goal products carry a **Lifetime Guarantee**. For help with guarantee issues visit www.kwikgoal.com and click on the **Lifetime Guarantee** logo or contact customer service at 1-800-531-4252.

ASSEMBLY INSTRUCTIONS FOR 0010 STANDARD KWIK SOCCER® GOAL, 0020 JUNIOR KWIK SOCCER® GOAL, AND 0721 USA KWIK SOCCER® GOAL

1. Unpack all parts immediately. Report any damages to the trucking company.
2. Initial assembly, attach shoe covers L & M to shoes F & G using double sided tape (N). See figures 1 & 2.
3. Attach back legs (E) to front posts (A) and (B), using 7/16" hex bolts and lock nuts. Be sure to only tighten hex nuts until they are flush with the end of the bolts. Over-tightening could cause damage to your Kwik Soccer® Goal. Be sure snap button on back leg is facing up. See figure 3.
4. Lay all pieces on the ground in assembly order by following color-coded dots (red to red, etc.). Do not connect any parts at this time. See figure 4.
5. Thread net on one of top bars (C), using top corner tags as a guide. See figure 5.
6. Connect all three top bars to front post assemblies and attach all four ground shoes. Spread net out evenly along top bars. See figure 6.
7. Erect goal in desired location. This can be done one side at a time. Do not push ground shoes into field at this time. See figure 7.
8. Sag can be removed from top bars by moving front posts in slightly from their original location. See figure 8.
9. **WARNING:** Under no circumstances should a hammer be used to hit ground shoes into soil. Damage could occur to your Kwik Soccer® Goal. A pilot peg has been provided with your Kwik Soccer® Goal. When encountering hard soil conditions, hit pilot hole peg into ground at desired location of ground shoe. Remove peg and insert ground shoe using light foot pressure. Be sure ground shoe plate is pushed completely to the ground as shown in Step 3 of figure 9.
10. Attach net around plates located on ground shoes. Attach net to front posts using net fastener (H) provided. Be sure to cut pieces long enough to allow a 2" overlap. See figure 10.
11. Pull net backward from goal until it is slightly taught. Fasten net to ground using net pegs. Kwik Soccer® Goal NET PEGS part #NP-2 are recommended. See figure 11.

CAUTION: GOALS MUST BE PROPERLY ANCHORED OR STORED AT ALL TIMES.

PARTS LIST FOR ONE GOAL

| | | | |
|--------------------------|-----|-------------------------|-----|
| A. Right Front Post | (1) | H. Net Fastener | (1) |
| B. Left Front Post | (1) | I. Pilot Hole Peg | (1) |
| C. Top Bar w/Snap Button | (2) | J. 7/16" Hex Bolt & Nut | (2) |
| D. Top Middle Bar | (1) | K. Net | (1) |
| E. Back Leg | (2) | L. Front Shoe Cover | (2) |
| F. Front Shoe | (2) | M. Rear Shoe Cover | (2) |
| G. Rear Shoe | (2) | N. Double Sided Tape | (4) |

CAUTION

This goal has been designed to be used for the game of soccer only. Goal posts must be anchored **AT ALL TIMES** and shall be secured against tilting. Do not climb on the net or goal framework at anytime! All fastenings must be checked to insure they are fully tightened before and after each use of this product. Goal posts not in use must be disassembled and properly stored in a safe, secure area. (See Guidelines for Moveable Soccer Goal Safety, included). Assembled goal posts should not be left unattended. Remove nets when goals are not in use. Do not use this equipment during the threat of high winds. Goal posts should be checked for safety before and after each use. All warning and safety labels included with this product must be visible at all times. Any modifications to this or any Kwik Goal product will void any and all warranties.

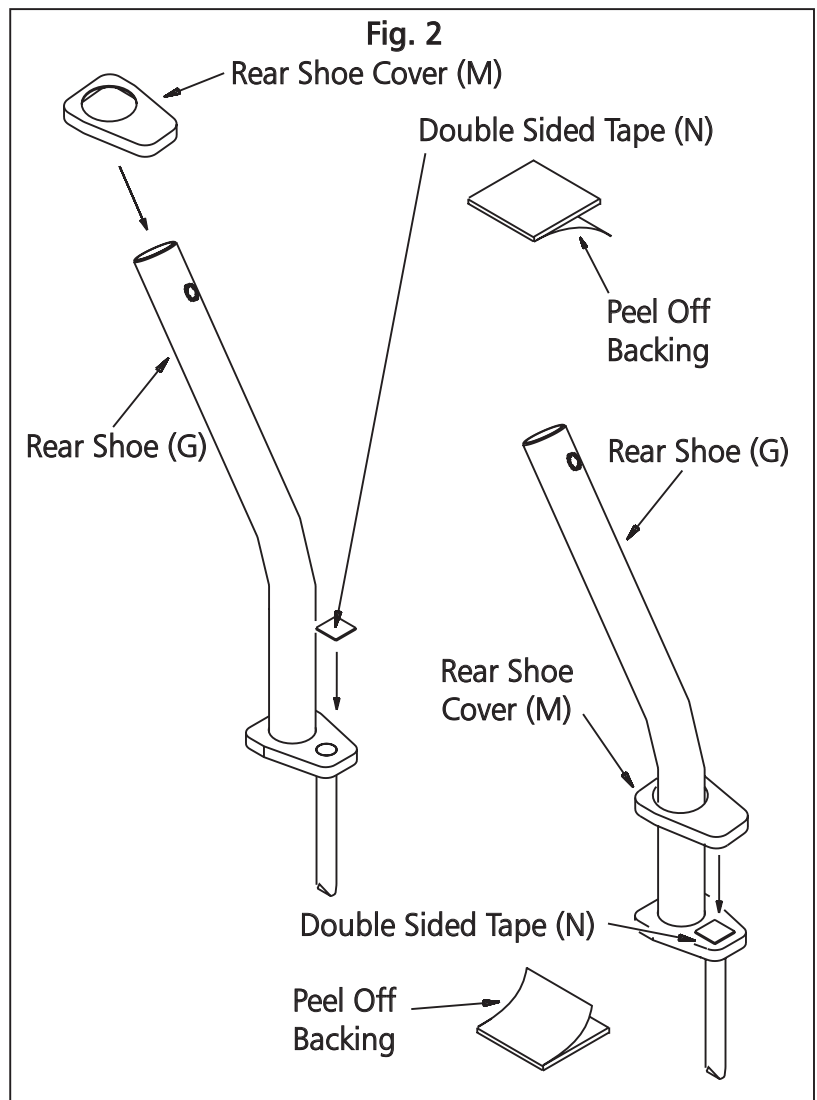
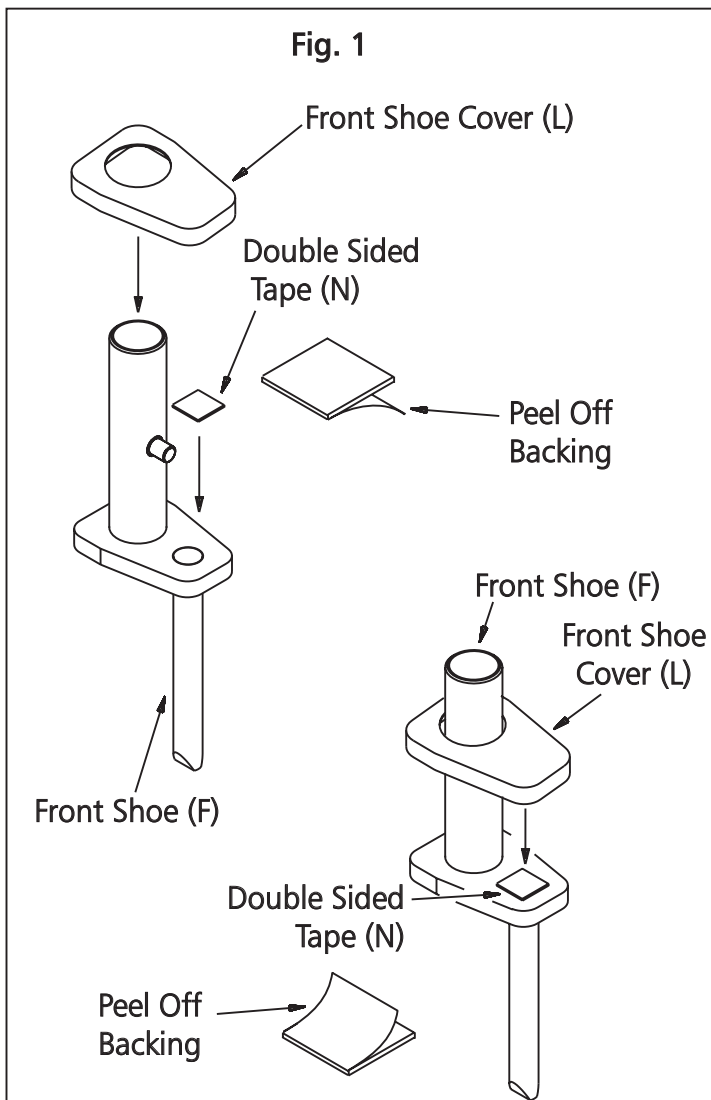
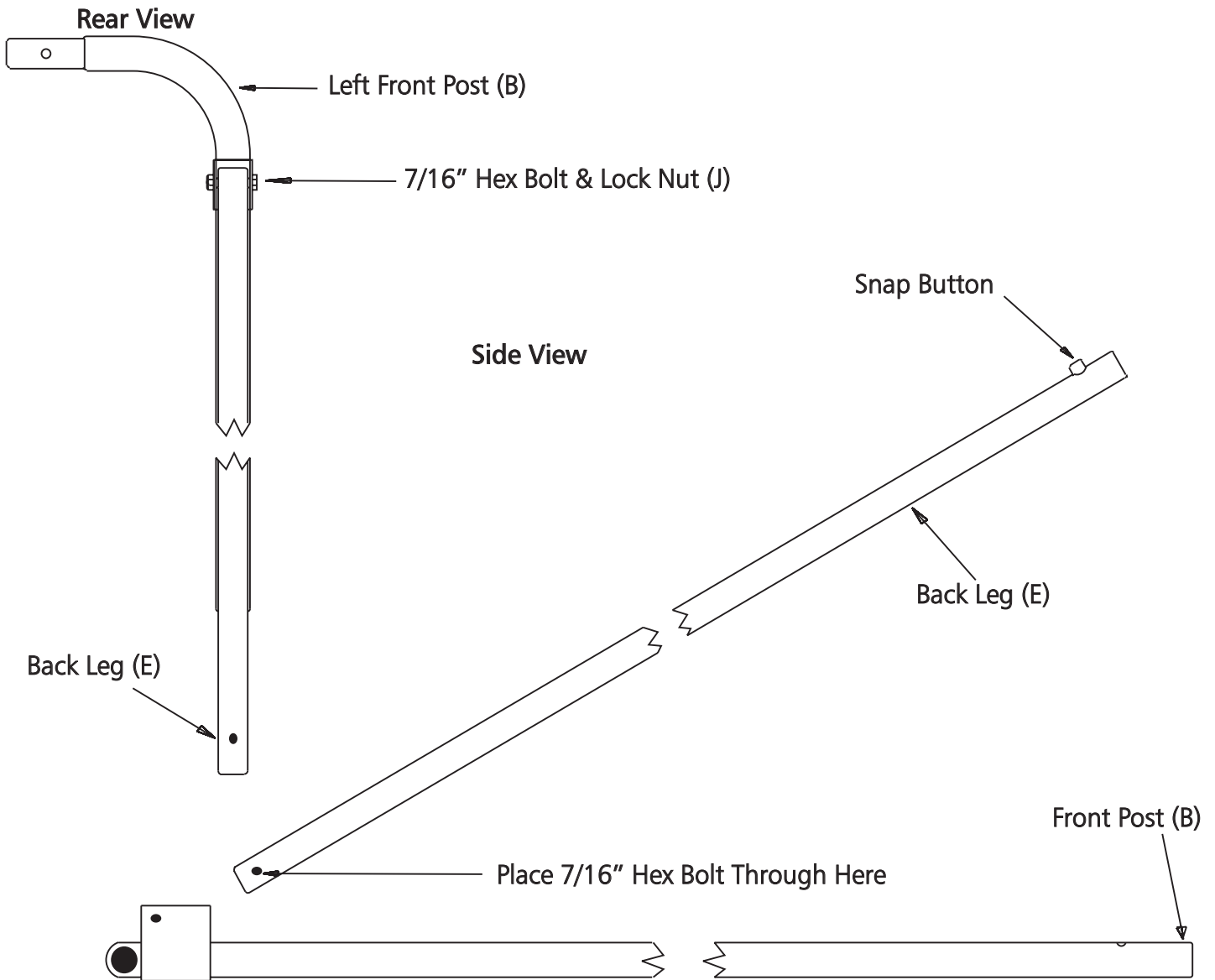


Fig. 3



*****CAUTION*****

This goal has been designed to be used for the game of soccer only. Goal posts must be anchored **AT ALL TIMES** and shall be secured against tilting. Do not climb on the net or goal framework at anytime! All fastenings must be checked to insure they are fully tightened before and after each use of this product. Goal posts not in use must be disassembled and properly stored in a safe, secure area. (See Guidelines for Moveable Soccer Goal Safety, included.) Assembled goal posts should not be left unattended. Remove nets when goals are not in use. Do not use this equipment during the threat of high winds. Goal posts should be checked for safety before and after each use. All warning and safety labels included with this product must be visible at all times. Any modifications to this or any Kwik Goal product will void any and all warranties.

Fig. 4

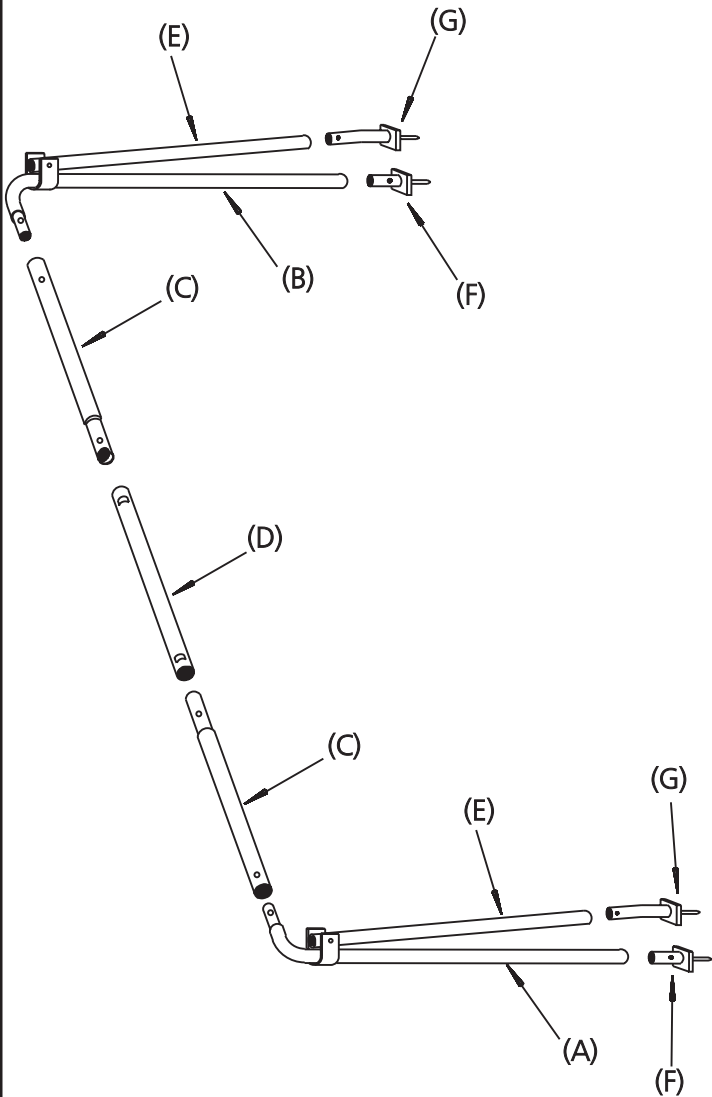
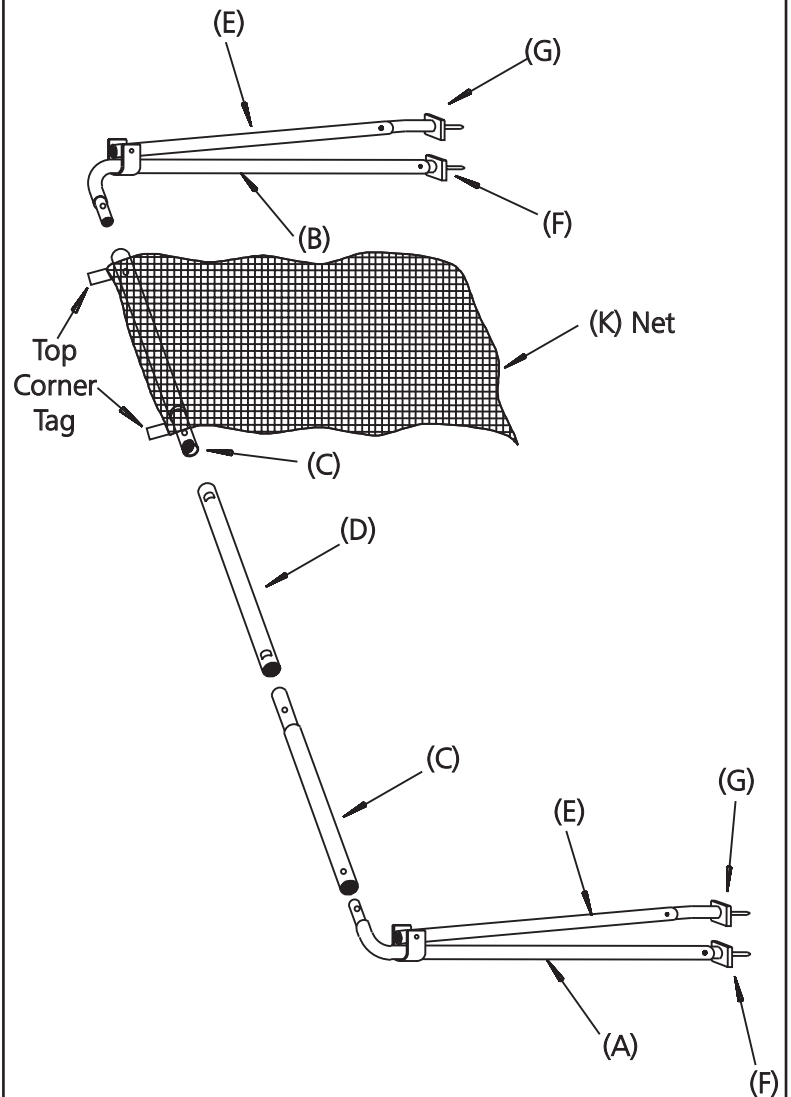


Fig. 5



*****CAUTION*****

This goal has been designed to be used for the game of soccer only. Goal posts must be anchored **AT ALL TIMES** and shall be secured against tilting. Do not climb on the net or goal framework at anytime!

All fastenings must be checked to insure they are fully tightened before and after each use of this product. Goal posts not in use must be disassembled and properly stored in a safe, secure area. (See

Guidelines for Moveable Soccer Goal Safety, included.) Assembled goal posts should not be left unattended. Remove nets when goals are not in use. Do not use this equipment during the threat of high winds. Goal posts should be checked for safety before and after each use. All warning and safety labels included with this product must be visible at all times. Any modifications to this or any Kwik Goal product will void any and all warranties.

Fig. 6

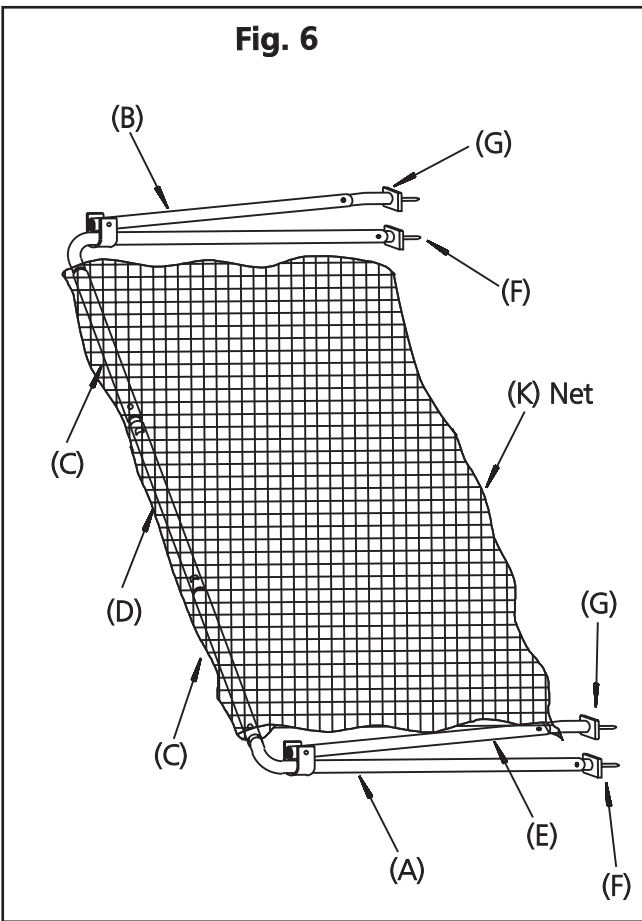
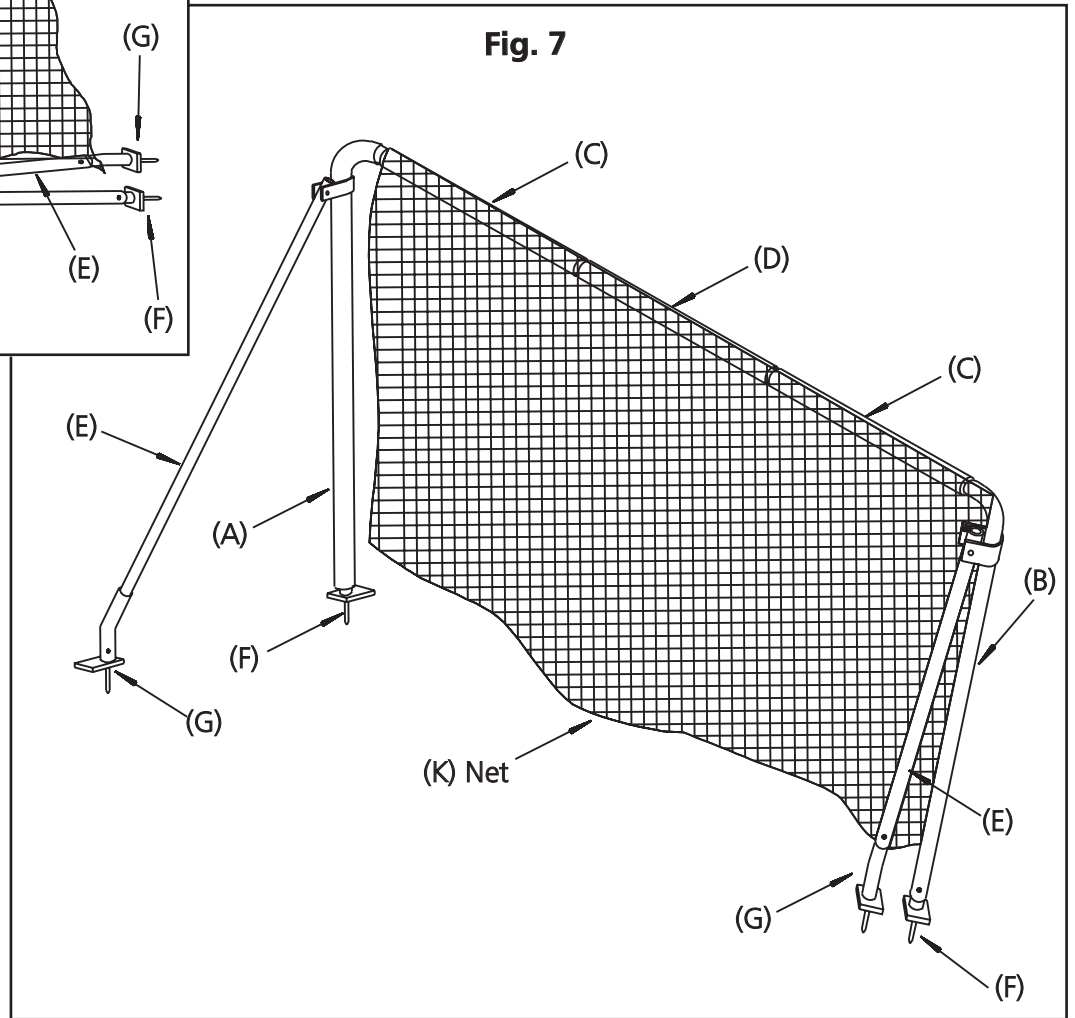


Fig. 7



*****CAUTION*****

This goal has been designed to be used for the game of soccer only. Goal posts must be anchored AT ALL TIMES and shall be secured against tilting. Do not climb on the net or goal framework at anytime!

All fastenings must be checked to insure they are fully tightened before and after each use of this product. Goal posts not in use must be disassembled and properly stored in a safe, secure area. (See Guidelines for Moveable Soccer Goal Safety, included.) Assembled goal posts should not be left unattended. Remove nets when goals are not in use. Do not use this equipment during the threat of high winds. Goal posts should be checked for safety before and after each use. All warning and safety labels included with this product must be visible at all times. Any modifications to this or any Kwik Goal product will void any and all warranties.

Fig. 8

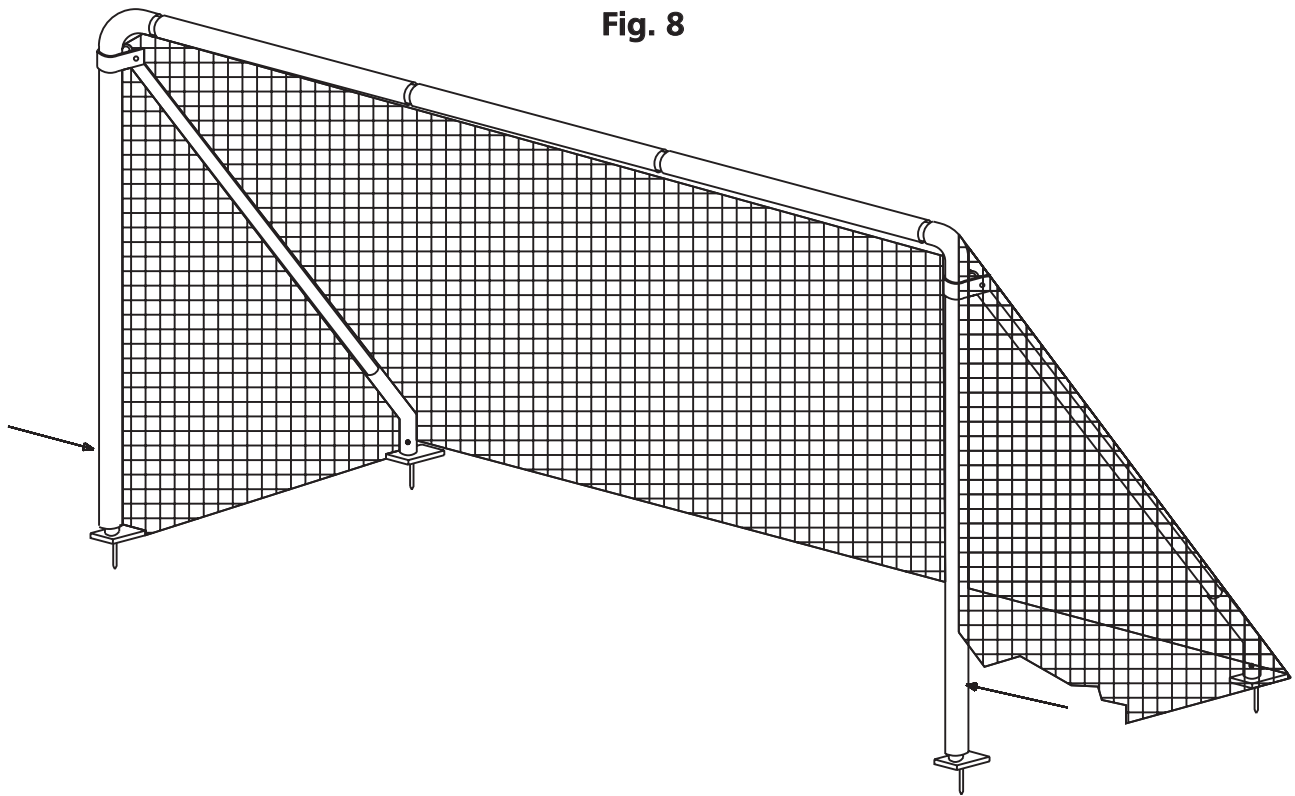
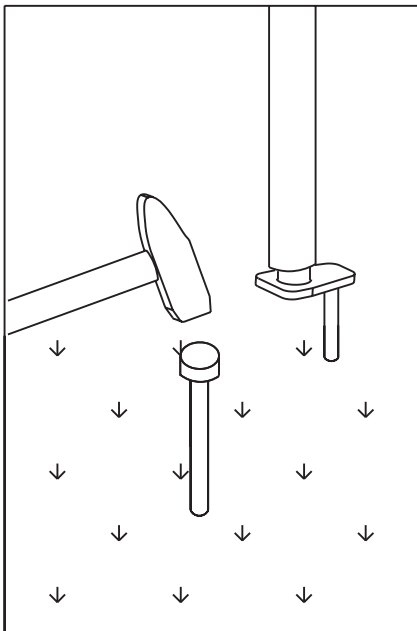
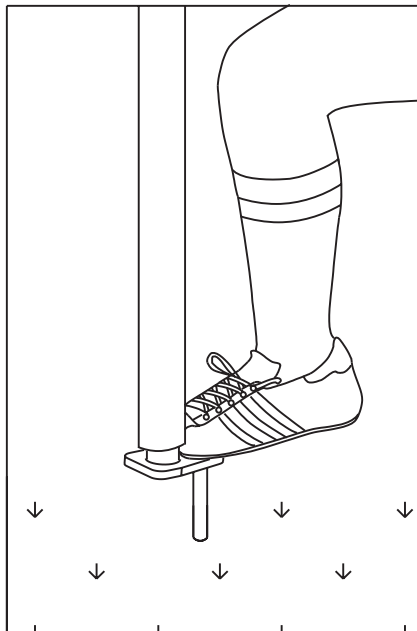


Fig. 9

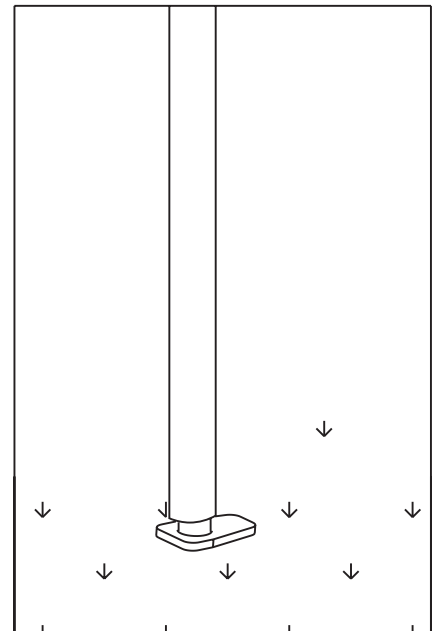
Pilot Hole



Step 1



Step 2



Step 3

*****CAUTION*****

This goal has been designed to be used for the game of soccer only. Goal posts must be anchored AT ALL TIMES and shall be secured against tilting. Do not climb on the net or goal framework at anytime!

All fastenings must be checked to insure they are fully tightened before and after each use of this product. Goal posts not in use must be disassembled and properly stored in a safe, secure area. (See

Guidelines for Moveable Soccer Goal Safety, included.) Assembled goal posts should not be left unattended. Remove nets when goals are not in use. Do not use this equipment during the threat of high winds. Goal posts should be checked for safety before and after each use. All warning and safety labels included with this product must be visible at all times. Any modifications to this or any Kwik Goal product will void any and all warranties.

Fig. 10

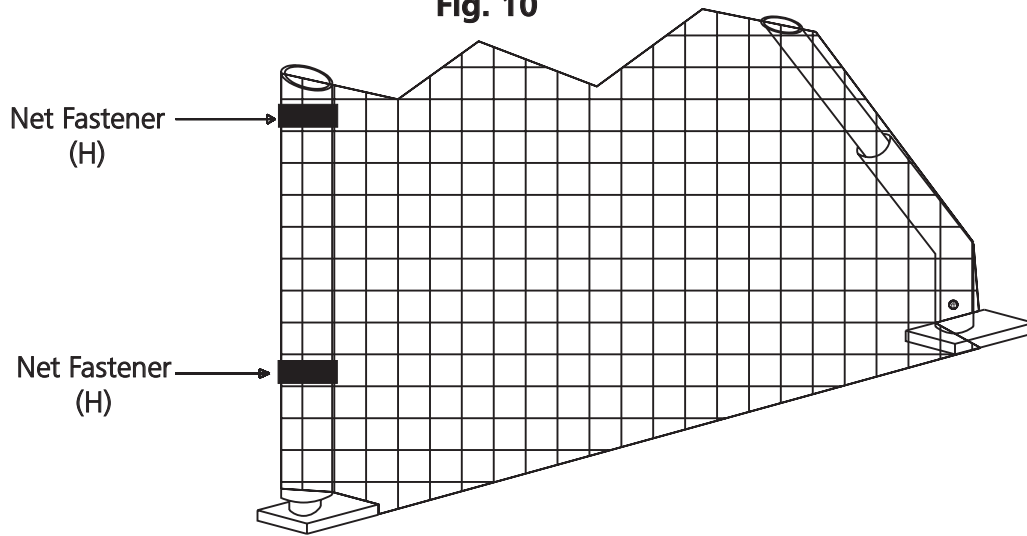
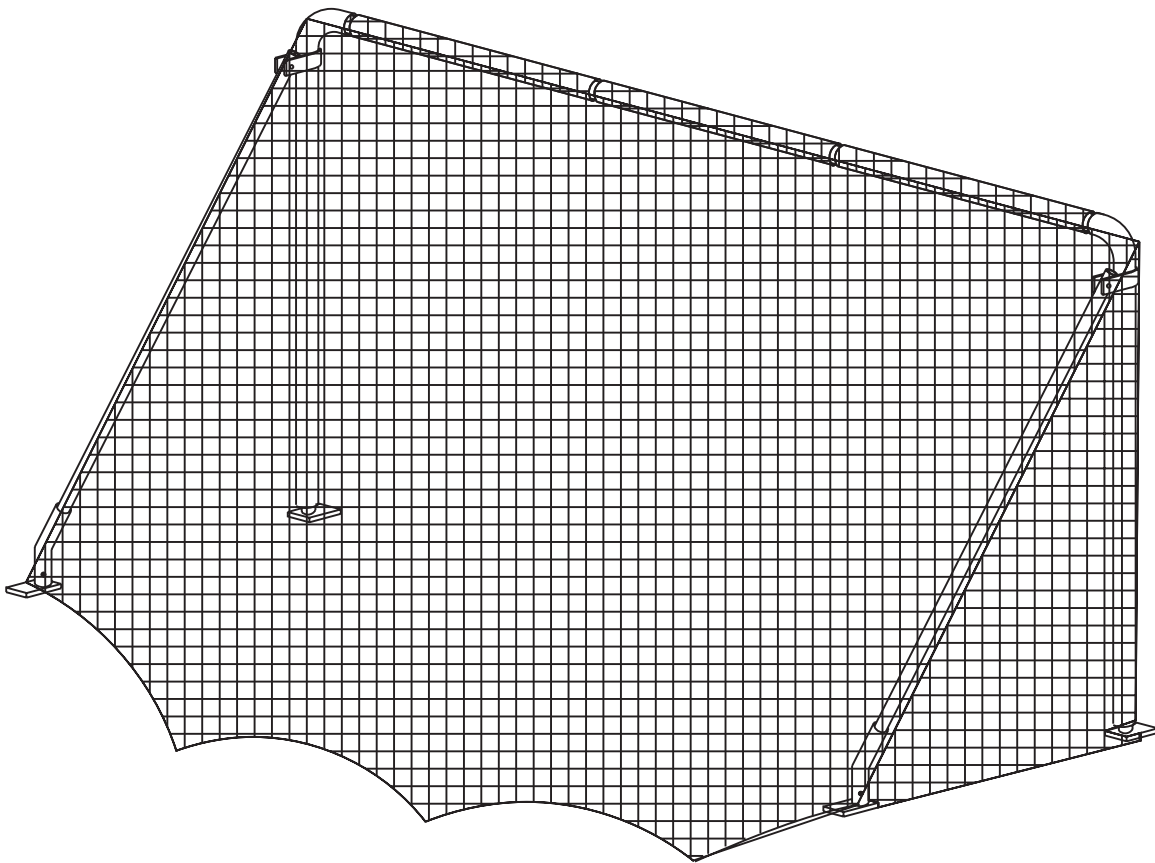


Fig. 11



*****CAUTION*****

This goal has been designed to be used for the game of soccer only. Goal posts must be anchored AT ALL TIMES and shall be secured against tilting. Do not climb on the net or goal framework at anytime! All fastenings must be checked to insure they are fully tightened before and after each use of this product. Goal posts not in use must be disassembled and properly stored in a safe, secure area. (See Guidelines for Moveable Soccer Goal Safety, included.) Assembled goal posts should not be left unattended. Remove nets when goals are not in use. Do not use this equipment during the threat of high winds. Goal posts should be checked for safety before and after each use. All warning and safety labels included with this product must be visible at all times. Any modifications to this or any Kwik Goal product will void any and all warranties.